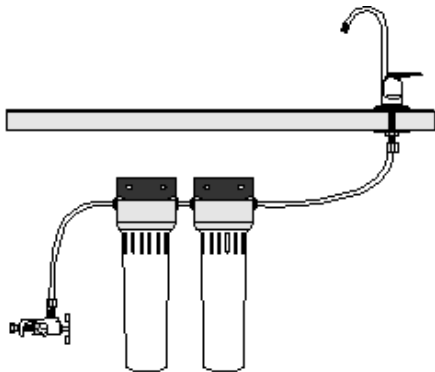


INSTALLATION OF THE UNDERCOUNTER

WATER PURIFIER FILTER HOUSING

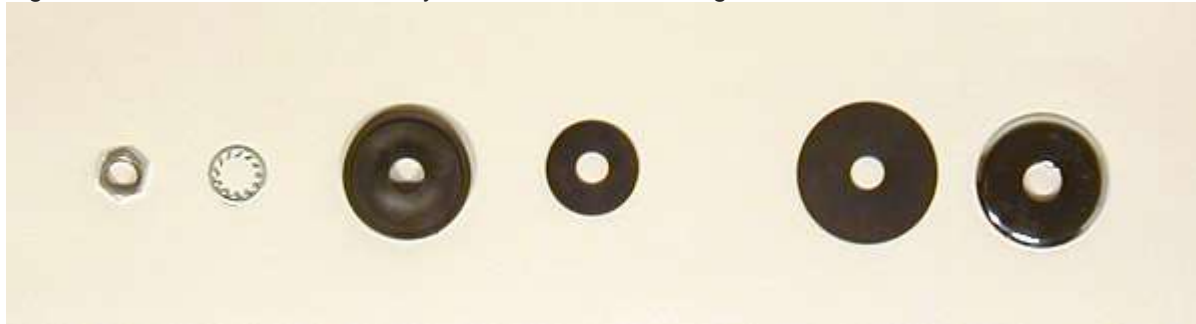


For one to three stage systems, select a suitable location for the filter housing(s) under the kitchen sink. Remember this unit must be serviced at regular intervals. Therefore the system should be reasonably accessible to enable the sump to be unscrewed to change or clean the cartridge(s). A clearance of 10 inches is desirable for ease of removal. Most of our systems now are not with a wall mounting bracket, so you can easily pull the unit out to service it.

Installing the Ledge Faucet

Check the most suitable location for the faucet and check under the ledge to confirm there are no obstructions to tighten the bolt. After a half inch hole is established in the sink or countertop, install the faucet as follows:

Begin by inserting the metal, or chrome escutcheon, first, and the larger black washer, second, onto the faucet stem. Then insert the faucet stem into the hole on the sink and position it as desired. There are no laws about which way the faucet body is positioned. It's your faucet, so point it the way you want it. Remember that with O-Ring spouts the spout will swivel a full 360 degrees. When we install, we usually mount the handle facing the side rather than the front or back so that it's easy to reach.



These go under the sink.
(Left to right: D, C, B, A)

These go on top of the sink.

Next, from the underside of the sink, thread the following parts onto the stem in the following order:

A. The smaller flexible black washer. If the hole in your sink is larger than the washer, simply throw the washer away. It isn't necessary.

B. The rigid plastic locating washer. Note that one side is beveled. The purpose of the beveled edge is to locate the washer and hold it in place on thick sinks with a 1.5" hole. If the hole is smaller than 1.5", or if the sink is stainless steel or any other similarly thin material, turn the non-beveled side of the washer up so that it contacts the sink.

C. The "star washer," also called a "lock washer." There is no up or down.

D. The stem nut.

Tighten the stem nut with a 7/16" open-end wrench to secure the faucet in place. NOTE: Unless you have very long arms, this is a two-person job: one person holds the faucet in place, while the other tightens the stem nut. (Or put a vice grip wrench loosely on the faucet. The main faucet or wall will hold it in place)

Finish the installation with one of the following options.

Once filter faucet is secured screw on the blue ice-maker flexhose. When tightened by hand give it a full rotation with a wrench. Do not over-tighten.

If you have a John Guest faucet adapter, simple screw it onto the faucet stem (Teflon tape may be beneficial) and insert the 1/4" supply tube from your drinking water unit until you feel it hit bottom. The tube should be squarely cut.

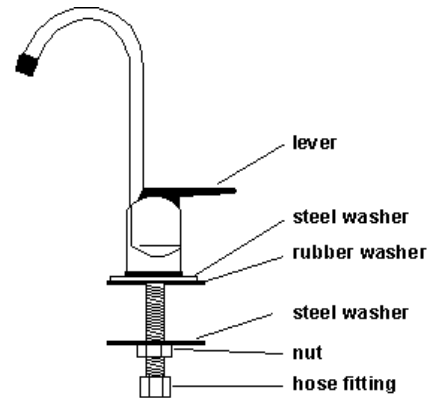


Figure C: Faucet

Image below shows your system with icemaker flex hoses. Simply screw the end of the hose onto the faucet. Do not over tighten.



There are a few different connectors to hook up your purifier to the water line.

T-connector for flex-hose

This connector is used if you have a regular Flex Hose going from your cold water line to the faucet. Shut off the water. If there is no shut off valve you will have to shut off the water main.

Open the kitchen faucet to remove pressure. Unscrew the flex hose that leads to the faucet. Attach the brass T-connector. It is advisable to use a vice-grip wrench to hold the pipe when tightening. Reinstall the faucet flex hose to the top of the T-connector.

The blue 1/4" ice-maker flex hose can be now screwed onto the T connector.



SADDLE VALVE (order this if you do NOT have anywhere to connect the T split)

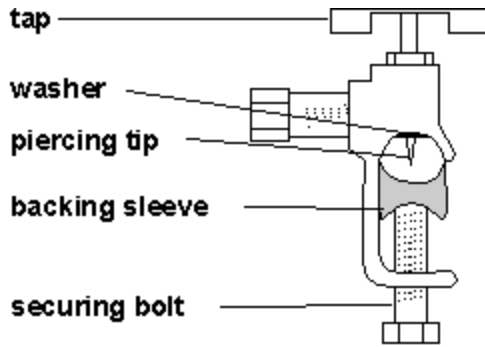


Figure B: Saddle Valve

This can be used when there is no flex hose to disconnect and only a copper pipe.

SHUT OFF THE WATER SUPPLY TO THE SINK. Select a suitable position for the location of the line piercing saddle valve on the copper (or plastic) COLD water line leading to the main faucet. Ensure that the saddle valve is located ABOVE the sink shut-off valve (if you have one). It must also be accessible enough to allow for isolation of the filter during cleaning or replacement of the cartridge(s).

Back off the tap FULLY to retract the piercing tip into the washer. Back off the securing bolt and remove the pipe-backing sleeve. Match the curvature of the sleeve to the size of your main water line.

Slide the valve around the line and tighten the securing bolt until it butts up firmly against the sleeve. Do not tighten to the point of crushing the line.

Turn the tap in until you feel the piercing tip contact the water line. Turn the tap in and out in increasing amounts until you feel the tap turn freely inward. It has then penetrated the line fully. Continue turning in until it bottoms out. Leave the tap turned fully in. This is the "off" position. Once the unit is fully connected open the valve to let in the water.

Shut Off Connector



This connector could attach directly to the bottom of the cold water faucet if a flex hose is attached to it.

Note: The hose may be easily removed from a John Guest fitting by pushing the collar on the push-fit connector all the way in and holding it there while gently pulling back on the hose. Excessive force is not required.

Inspect the cartridge(s) for obvious damage prior to installation. Let the water run to wait for about four minutes.

An optional "John Guest Push-Fit" connector Ball Valve can be purchased.

For more instructions call us at 613-523-7800

