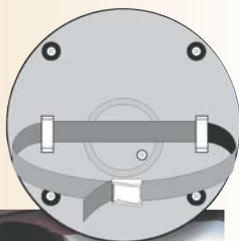


XR-100 'Auto' Air Filtration System



The XR-100 removes dust, fumes, odors and gases that come from the road, other vehicles and the surrounding environment.

Mounted safely behind the seat the XR-100 takes up no passenger space and its



handsome design looks great in any automobile.

Runs off your car's own power

Conveniently plugs into your vehicle's cigarette lighter so the power is there when you need it.

Three-Stage Filtration

Stage 1: Activated Carbon

Captures large particulates and odors

Stage 2: Electret charged media Captures sub-micron particles such as dust, pollen, cigarette smoke, bacteria and more.

Stage 3: Zeolite V.O.C. filter Removes gases, fumes and odors.

Easy to maintain

All that's needed is periodic filter changes.

Aromatherapy Packets

Enjoy aromatherapy with optional aromatherapy packets. Available in 5 essences.

Odortec™ Packets

Destroy cigarette and other odors with optional Odortec™ packets. Specifications

Specifications

DIMENSIONS: 8" D 3.5"H

WEIGHT: 2.1 lbs.

AIR FLOW (C.F.M.): 20

CLASSIFICATION

- Portable Air Cleaning Device
- U.L. and C.S.A. approved

MATERIALS: motor housing: 24 gauge steel
filter cartridge: I.M. polystyrene

FINISH: Powder coated baked enamel (motor/fan housing)

COLOR: Sandtext Black

INTAKE (Upper Section):

Via a removable three-stage filter cartridge

OUTFLOW (Lower Section):

Cleaned air outflows through perimeter grill

MOTOR/FAN:

- Designed for continuous operation
- Run tested for 35,000 hours
- Service: 12 V D.C.

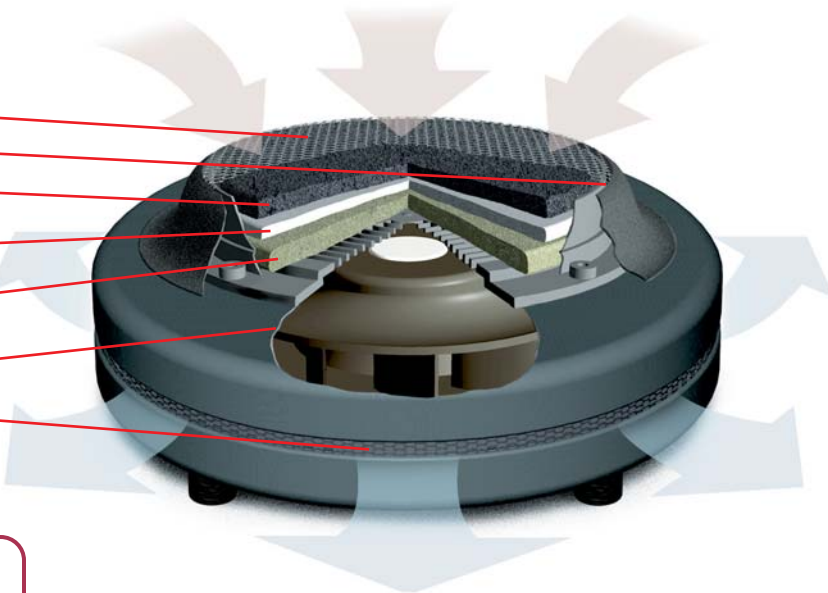
AIR CHANGE-OVERS: 10 per hour (typical automobile)

FILTER-PACK LIFE: 4-6 months (based on usage in North America)

ACCESSORIES (included):

- Cigarette lighter adaptor
- Car seat mounting strap

- AIR INTAKE**
- FILTER CARTRIDGE**
- STAGE 1**
Activated Carbon
- STAGE 2**
Electret Charged Media
- STAGE 3**
Zeolite V.O.C. Filter
- MOTOR/FAN HOUSING**
- CLEAN AIR OUTFLOW**
360° Outflow



Amaircare products available at:

